

# Wellness Special

July 2011



## Important Indications Bathtubs + Well Being

---

### 1. Additions

#### New Models

Series	Availability
Blue Moon Pools	available
Sundeck Pools	available
DuraPlan	available

### 2. Special Indications Bathtubs + Well Being

When ordering bathtubs, whirltubs and pools please consider:

**7 1 0 0 0 1 0 0 1 0 0 1 0 9 0**  
 |                    |                    |                    |  
 Model            Color            Module            System System Color

When ordering your whirltub system please indicate the item number of the module requested. Based on this information the exact article number will be determined by our sales service.

When ordering a bathtub with furniture please specify:  
 bathtub model-no. + **2 F 8 7 8 7**  
 bathtub panel-model-no. +  
 Color **B l e a c h e d O a k - 6 5**

### 3. CAD Drawings

CAD data of Duravit sanitary ware can be downloaded from our internet websites [www.duravit.us](http://www.duravit.us) or <http://pro.duravit.us> (DXF, DWG, IGS, STP format).

### 4. Standard Equipment of all Duravit whirlsystems

- Cable-driven waste and overflow, chrome trim  
(optional, unless specified)
- Support Frame

### 5. Acrylic Tolerances

Due to the production process the specified nominal dimensions can vary within certain allowable tolerances. Please take this into consideration for your planning.

### 6. Specification sheet

Specification sheet of bath- and whirltubs can be downloaded from our internet websites [www.duravit.us](http://www.duravit.us) or <http://pro.duravit.us>

## Content

---

### General Information

Important Indications	2
Numerical Index	4
Pools Product Information	6
General terms of sale	31
Color Chart	End of Pricelist

### Pools

Blue Moon	9
Sundeck	18

### Shower Trays

DuraPlan	26
----------	----

## Numerical Index

Model-No.	Page	Model-No.	Page	Model-No.	Page	Model-No.	Page
<b>70</b>		<b>791808</b>	10, 12				
701059	10, 13	791809	19, 20				
701060	10, 14	791811	19, 20				
701061	10, 14	791812	19, 20				
701091	10, 13	791813	19, 20				
701092	10, 14						
701093	10, 14	<b>86</b>					
		8681	23				
<b>71</b>		8682	23				
710169	10	8687	23				
710171	19						
		<b>87</b>					
<b>72</b>		8768	10, 17				
720082	27						
720084	28	<b>90</b>					
720085	27	9060	17				
720087	28	9061	17				
720088	28	9062	17				
720089	27	9064	17				
720091	28						
720092	28						
<b>79</b>							
790002	19, 20						
790004	10, 12						
790123	10, 12						
790140	27, 29						
790142	28, 29						
790143	27, 29						
790145	28, 29						
790146	28, 29						
790147	27, 29						
790149	28, 29						
790150	28, 29						
790262	27, 28, 29						
790832	19, 20						
790867	10, 12						
790875	19, 20						
790876	19, 20						
790878	10, 13						
790880	10, 12						
790884	10, 12						
790885	10, 12						
790886	10, 12						
790887	10, 13						
790888	10, 13						
790889	10, 13						
790890	10, 13						
791803	10, 12						
791804	10, 12						

## Pools

Blue Moon

9

---

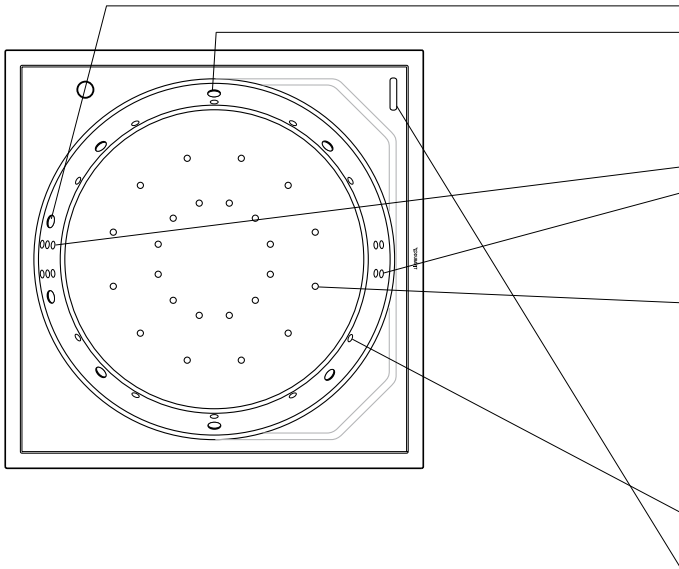
Sundeck

18

---

## Pool Product Information

### Combi-Pool



### Equipment Blue Moon pool

#### Whirl circuit Power

2 powerful back-massage jets  
 2 powerful side-mounted jets  
 (all jets are with air and water)  
 All four jets are adjustable at the nozzle.

#### Whirl circuit Relax

6 adjustable back-massage jets  
 4 adjustable rotating foot-massage jets  
 (all jets are with air and water)

#### Whirl circuit Emotion

24 circularly arranged Durapearl floor jets with three functions  
 (a sparkling mix of water and air, only water, only air)

#### Circuit for hygiene and temperature

with cartridge filter, ozone generator and heating  
 1 floor suction  
 1 inlet jet for water from the circuit for hygiene and temperature

10 LED-spotlights with 6 colors and 5 colored lighting programmes  
 Remote control Combi-Pool  
 Multilingual control panel Combi-Pool under a hinged cover of the inlay

#### Additional modules (optional)

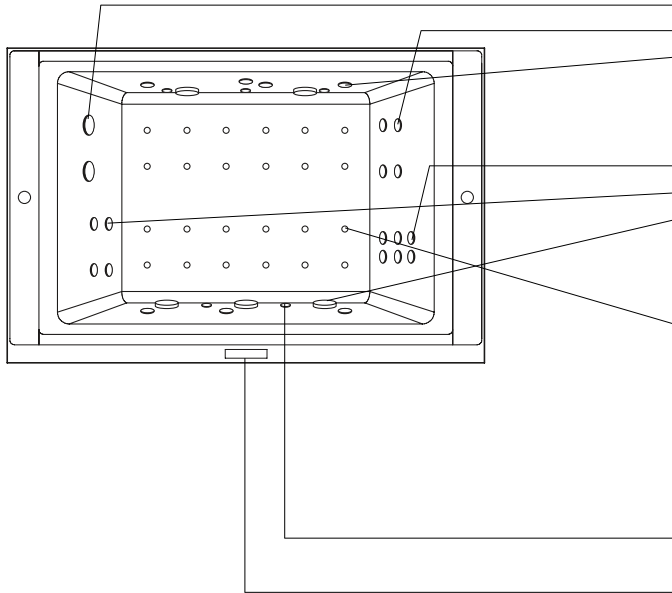
Water supply through inlet jet (only for indoor)  
 Ground plate for outdoor usage

#### Accessories (optional)

Tub cover (also recommended for insulation)  
 Storage holder for tub cover  
 Isolating buoyant film

## Pool Product Information

### Combi-Pool



### Equipment Sundeck pool

#### Whirl circuit Power

2 powerful back-massage jets, adjustable at the nozzle  
 4 rotating foot-massage jets  
 3 side-mounted jets  
 (all jets with air and water)

#### Whirl circuit Relax

6 adjustable back-massage jets  
 4 adjustable rotating foot-massage jets  
 3 adjustable side-mounted jets  
 (all jets are with air and water)

#### Whirl circuit Emotion

24 Durapearl floor jets with three functions  
 (a sparkling mix of water and air, only water, only air)

#### Circuit for hygiene and temperature

with cartridge filter, ozone generator and heating

1 floor suction

1 inlet jet for water from the circuit for hygiene and temperature

5 LED-spotlights with 6 colors and 5 colored lighting programmes

Remote control Combi-Pool

Multilingual control panel Combi-Pool under a hinged cover of the panel

#### Additional modules (optional)

Water supply through inlet jet (only for indoor)

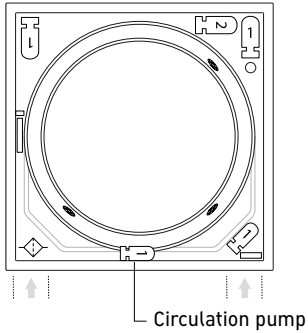
Ground plate for outdoor usage

#### Accessories (optional)

Isolating buoyant film

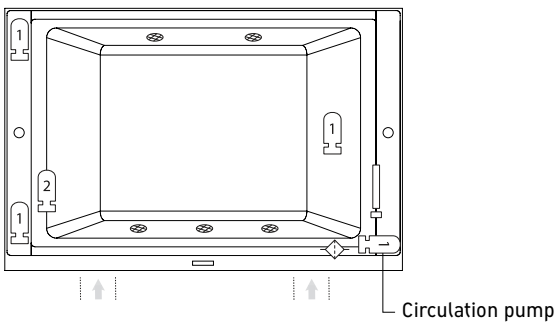
## Pool Product Information

### Blue Moon



# 710169

### Sundeck



# 710171

### References for Blue Moon and Sundeck with poolsystem

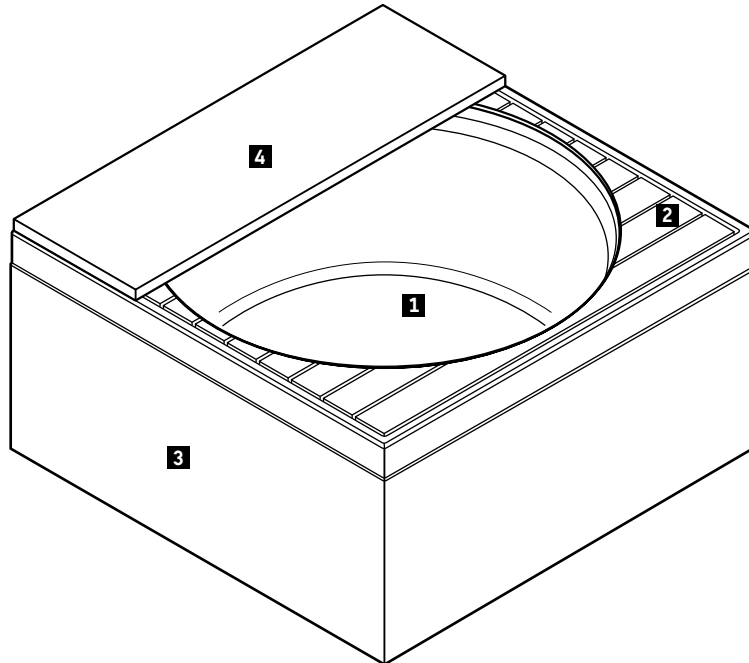
- An alternative positioning of the control panel or aggregates is not possible.
- The poolsystem is only available with acrylic or furniture panel.
- We recommend panels with isolation for the outdoor application.
- The side for servicing must always be accessible for the exchange of the filter and the draining.

### Legend



## Blue Moon Design by Jochen Schmiedem

### Ordering Sample Pool



Description	Remark	Quantity	Model-No.
<b>1</b> Blue Moon Pool	70 7/8" x 70 7/8"	1	710169 00 8 00 0000
<b>2</b> Wooden inlay Teak (decor) with hinged cover	for Pool 70 7/8" x 70 7/8"	1	790880 00 0 01 0090
<b>3</b> Acrylic panel with isolation for freestanding version	for Pool 70 7/8" x 70 7/8"	1	701093 00 0 00 0090
<b>4</b> Tub cover	70 7/8" x 70 7/8"	1	790884 00 0 00 0000

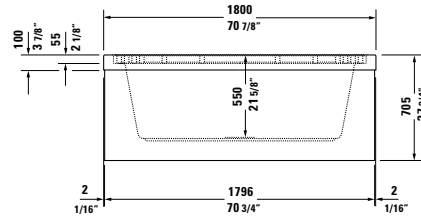
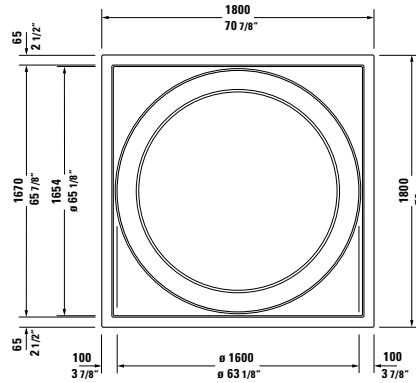
#### Additional information:

Duravit pools comply with the following standard requirements:

- UL 1563, 6th Edition
- CSA C22.2 No.218.1 M89

**Blue Moon** Design by Jochen Schmiedem

Pool square, with support frame for panel, 70 7/8" x 70 7/8"  
 1/4" sanitary acrylic



Length inch	Width inch	Depth inch	Weight lbs	Model-No.	USD
					White (Alpin) - 00
70 7/8"	70 7/8"	21 5/8"	551.2		
<b>Pool</b>					
Blue Moon Pool				<b>710169 00 8 00 0090</b>	22,500
<b>Necessary accessories for pool</b>					
Blue Moon wooden inlay Teak (decor) with hinged cover				<b>790880 00 0 01 0090</b>	4,100
Blue Moon acrylic inlay with hinged cover				<b>790867 00 0 01 0090</b>	<b>2,400</b>
Acrylic panel for corner left / right				<b>701059 00 0 00 0090</b>	2,000
Acrylic panel for back-to-wall version				<b>701060 00 0 00 0090</b>	3,500
Acrylic panel for freestanding version				<b>701061 00 0 00 0090</b>	4,250
Acrylic panel with isolation for corner left / right (for outdoor application)				<b>701091 00 0 00 0090</b>	2,500
Acrylic panel with isolation for back-to-wall version (for outdoor application)				<b>701092 00 0 00 0090</b>	4,000
Acrylic panel with isolation for freestanding version (for outdoor application)				<b>701093 00 0 00 0090</b>	<b>4,750</b>
Suitable furniture panels see page 15					

continued on following page

## Blue Moon Design by Jochen Schmiedem

Pool square, with support frame for panel, 70 7/8" x 70 7/8"  
1/4" sanitary acrylic








Length inch	Width inch	Depth inch	Weight lbs	Model-No.	USD
					White (Alpin) - 00
70 7/8"	70 7/8"	21 5/8"	551.2		
<b>Accessories for pool</b>					
Blue Moon headrest				790004 00 0 00 0000	100
Bathtub anchors (4 pcs.)*				790123 00 0 00 0000	70
Footrest, length 7 1/8"				790885 00 0 00 0000	550
Footrest, length 9 7/8"				790886 00 0 00 0000	650
Blue Moon tub cover				790884 00 0 00 0000	2,995
Isolating buoyant film for pool				791808 00 0 00 0000	175
Persenning for corner left / right				791803 00 0 00 0000	750
Persenning for back-to-wall version				791804 00 0 00 0000	750
Persenning for freestanding version				790878 00 0 00 0000	750
Bench / support rail Teak (decor)				790887 00 0 00 0000	1,950
Bench / support rail Teak (decor) with clothes rail				790888 00 0 00 0000	2,050
Bench / support rail Teak (decor) with handhold				790889 00 0 00 0000	2,075
Bench / support rail Teak (decor) with clothes rail and handhold				790890 00 0 00 0000	2,350
Pillar Blue Moon freestanding, including feet***				8768 L/R	see page 17

**Infobox:** \* We recommend to use 4 bathtub anchors for the installation / \*\*\* For ordering pillar, please refer to page 17 / It is not possible to use Blue Moon tub cover # 790884 00 0 00 0000 (for tub 70 7/8" x 70 7/8") together with Pillar Blue Moon # 8768 L/R





## Blue Moon Accessories Design by Jochen Schmiedem

	Description	Model-No.	USD
	<b>Bathtub anchors (4 pcs.)*</b> for mounting and support of bathtubs and shower trays	790123 00 0 00 0000	70
<b>Infobox:</b> * We recommend to use 4 bathtub anchors for the installation			
	<b>Blue Moon headrest</b> material: polyurethane for Blue Moon 70 7/8" x 70 7/8"	790004 00 0 00 0000	100
	<b>Footrest</b> for Blue Moon 70 7/8" x 70 7/8" length 7 1/8" length 9 7/8"	790885 00 0 00 0000	550
790886 00 0 00 0000	650		
	<b>Blue Moon wooden inlay Teak (decor) with hinged cover</b> for Blue Moon pool 70 7/8" x 70 7/8"	790880 00 0 01 0090	4,100
	<b>Blue Moon acrylic inlay with hinged cover</b> for Blue Moon pool 70 7/8" x 70 7/8"	790867 00 0 01 0090	2,400
	<b>Blue Moon tub cover</b> for Blue Moon 70 7/8" x 70 7/8"	790884 00 0 00 0000	2,995
	<b>Isolating buoyant film for pool</b> for Blue Moon pool 70 7/8" x 70 7/8"	791808 00 0 00 0000	175
	<b>Persenning for corner left / right</b> for Blue Moon pool 70 7/8" x 70 7/8"	791803 00 0 00 0000	750
	<b>Persenning for back-to-wall version</b> for Blue Moon pool 70 7/8" x 70 7/8"	791804 00 0 00 0000	750

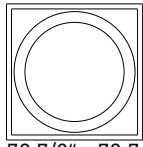
**Blue Moon Accessories** Design by Jochen Schmiedem

	Description	Model-No.	USD
	<b>Persencing for freestanding version</b> for Blue Moon pool 70 7/8" x 70 7/8"	790878 00 0 00 0000	750
	<b>Bench / support rail Teak (decor)</b> for Blue Moon 70 7/8" x 70 7/8"	790887 00 0 00 0000	1,950
	<b>Bench / support rail Teak (decor) with clothes rail</b> for Blue Moon 70 7/8" x 70 7/8"	790888 00 0 00 0000	2,050
	<b>Bench / support rail Teak (decor) with handhold</b> for Blue Moon 70 7/8" x 70 7/8"	790889 00 0 00 0000	2,075
	<b>Bench / support rail Teak (decor) with clothes rail and handhold</b> for Blue Moon 70 7/8" x 70 7/8"	790890 00 0 00 0000	2,350
	<b>Acrylic panel for corner left / right</b> for Blue Moon 70 7/8" x 70 7/8"	701059 00 0 00 0000	2,000
	<b>Acrylic panel with isolation for corner left / right (for outdoor application)</b> for Blue Moon pool 70 7/8" x 70 7/8"	701091 00 0 00 0000	2,500

## Blue Moon Accessories Design by Jochen Schmiedem

	Description	Model-No.	USD
	<b>Acrylic panel for back-to-wall version</b> for Blue Moon 70 7/8" x 70 7/8"	701060 00 0 00 0000	3,500
	<b>Acrylic panel with isolation for back-to-wall version</b> <b>(for outdoor application)</b> for Blue Moon pool 70 7/8" x 70 7/8"	701092 00 0 00 0000	4,000
	<b>Acrylic panel for freestanding version</b> for Blue Moon 70 7/8" x 70 7/8"	701061 00 0 00 0000	4,250
	<b>Acrylic panel with isolation for freestanding version</b> <b>(for outdoor application)</b> for Blue Moon pool 70 7/8" x 70 7/8"	701093 00 0 00 0000	4,750

**Blue Moon** Design by Jochen Schmiedem

**Furniture and acrylic panels for pools**


70 7/8" x 70 7/8"


**# 710169**

		Model-No. furniture panel indoor	Model-No. acrylic panel indoor	Model-No. furniture panel outdoor	Model-No. acrylic panel outdoor
	Corner left	# BM 9061	# 701022		# 701088
	Corner right	# BM 9061	# 701022		# 701088
	Back-to-wall	# BM 9062	# 701023		# 701089
	Freestanding	# BM 9060	# 701024	# BM 9064	# 701090

## Blue Moon Design by Jochen Schmiedem

### Product Information

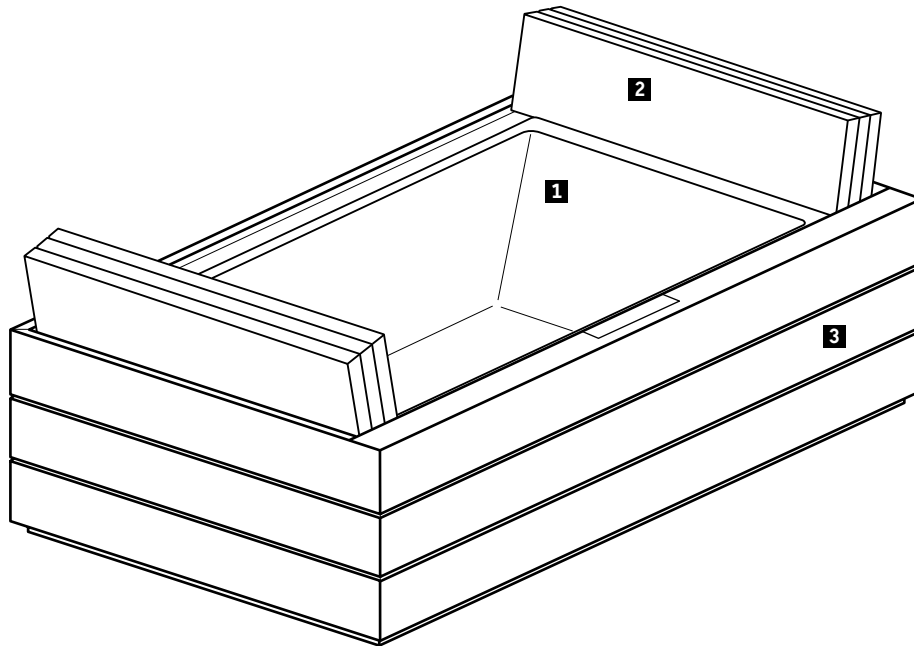
<b>Furniture panel</b>	<b>Decor</b> (Pricegroup 1)	<b>04</b> Teak <b>28</b> Wengé	Compact laminated panel, with melamine resin decor (HPL) pressed on one side. Surfaces resistant to moisture.
	<b>Real wood veneer</b> (Pricegroup 2)	<b>13</b> American Walnut <b>24</b> Macassar <b>62</b> Anthracite Oak <b>93</b> Ash Olive	Compact laminated panel, with real wood veneer pressed on one side. Real wood veneer is a natural material, differences in color and structure may occur. Surfaces resistant to moisture.
	<b>Decor</b> <b>Outdoor Version</b> (Pricegroup 3)	<b>01</b> Cherry Tree <b>02</b> Wengé	Compact laminated panel, with melamine resin decor (HPL) pressed on one side. This HPL is developed for outdoor use. It is resistant to UV-radiation and has an overall weatherability.
<b>Pillar</b>	<b>Decor</b> (Pricegroup 1)	<b>04</b> Teak <b>28</b> Wenge	Compact laminated panel, with melamine resin decor (HPL) pressed on one side. Surfaces resistant to moisture.
	<b>Acryl</b> (Pricegroup 2)	<b>82</b> Acrylic White	3/8" Acryl solid-colored in white
	<b>Real wood veneer</b> (Pricegroup 2)	<b>13</b> American Walnut <b>24</b> Macassar <b>62</b> Anthracite Oak <b>93</b> Ash Olive	Compact laminated panel, with real wood veneer pressed on one side. Real wood veneer is a natural material, differences in color and structure may occur. Surfaces resistant to moisture.

Furniture Surfaces see end of pricelist



## Sundeck Design by E00S

### Ordering Sample Pool



Description	Remark	Quantity	Model-No.
<b>1</b> Sundeck Pool	82 5/8" x 55 1/8"	1	710171 00 8 00 0090
<b>2</b> Sundeck foldable relaxing deck	for Pool 82 5/8" x 55 1/8"	1	790875 00 0 00 0000
<b>3</b> Furniture panel with isolation for freestanding version	for Pool 82 5/8" x 55 1/8"	1	SU 8687
Persewing (no illustration)	for Pool 82 5/8" x 55 1/8"	1	790876 00 0 00 0000

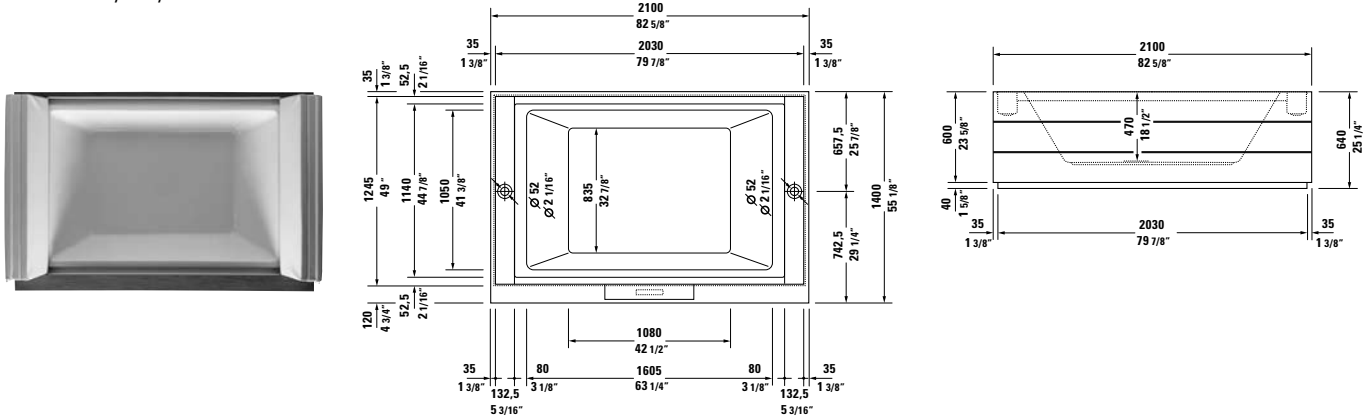
#### Additional information:

Duravit pools comply with the following standard requirements:

- UL 1563, 6th Edition
- CSA C22.2 No.218.1 M89




## Sundeck Design by E00S

Pool rectangle, with support frame for panel, with two backrest slopes, incl. fixation for foldable relaxing deck, 82 5/8" x 55 1/8" 1/4" sanitary acrylic



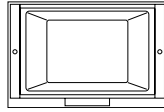
Length inch	Width inch	Depth inch	Weight lbs	Model-No.	USD
82 5/8"	55 1/8"	18 1/2"	635.0		White (Alpin) - 00
<b>Pool</b>					
Sundeck Pool				<b>710171 00 8 00 0090</b>	21,750
<b>Necessary accessories for pool</b>					
Sundeck foldable relaxing deck, cushioned, two-piece, white				<b>790875 00 0 00 0000</b>	<b>3,850</b>
Suitable furniture panels see page 21					
<b>Accessories for pool</b>					
Sundeck step, cushioned, white				<b>790832 00 0 00 0000</b>	1,000
Sundeck bolster, white				<b>790002 00 0 00 0000</b>	210
Isolating buoyant film for pool				<b>791809 00 0 00 0000</b>	95
Sundeck persenning for freestanding version incl. furniture panel without pillar, blue				<b>790876 00 0 00 0000</b>	1,200
Sundeck persenning for corner left incl. furniture panel without pillar, blue				<b>791811 00 0 00 0000</b>	1,000
Sundeck persenning for corner right incl. furniture panel without pillar, blue				<b>791812 00 0 00 0000</b>	1,000
Sundeck persenning for back-to-wall version incl. furniture panel without pillar, blue				<b>791813 00 0 00 0000</b>	1,000
<b>Infobox:</b> No overflow hole, but overflow channel / Tub only available with foldable relaxing deck					

## Sundeck Accessories Design by E00S

	Description	Model-No.	USD
	<b>Sundeck bolster, white</b>	<b>790002 00 0 00 0000</b>	<b>210</b>
	<b>Sundeck step, cushioned, white</b>	<b>790832 00 0 00 0000</b>	<b>1,000</b>
	<b>Sundeck foldable relaxing deck, cushioned, two-piece, white</b> for # 700197 (82 5/8" x 55 1/8") and # 710171 (82 5/8" x 55 1/8")	<b>790875 00 0 00 0000</b>	<b>3,850</b>
	<b>Isolating buoyant film for pool</b> for Sundeck pool 82 5/8" x 55 1/8"	<b>791809 00 0 00 0000</b>	<b>95</b>
	<b>Sundeck persenning incl. furniture panel without pillar, blue</b> for # 710171, 700197 (82 5/8" x 55 1/8")		
	for freestanding version	<b>790876 00 0 00 0000</b>	<b>1,200</b>
	for corner left	<b>791811 00 0 00 0000</b>	<b>1,000</b>
	for corner right	<b>791812 00 0 00 0000</b>	<b>1,000</b>
	for back-to-wall version	<b>791813 00 0 00 0000</b>	<b>1,000</b>

## Sundeck Design by E00S


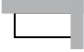

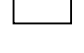
### Furniture panels for pools



82 5/8" x 55 1/8"



# 710171

Model-No. furniture panel		Indoor	Outdoor
	Corner left	# SU 8681	
	Corner right	# SU 8681	
	Back-to-wall	# SU 8681	
	Freestanding	# SU 8682	# SU 8687

## Sundeck Design by E00S

### Product Information

<b>Furniture panel</b>	<b>Decor</b> (Pricegroup 1)	<b>04</b> Teak <b>28</b> Wengé	Compact laminated panel, with melamine resin decor (HPL) pressed on one side. Surfaces resistant to moisture.
	<b>Real wood veneer</b> (Pricegroup 2)	<b>13</b> American Walnut <b>24</b> Macassar <b>62</b> Anthracite Oak <b>93</b> Ash Olive	Compact laminated panel, with real wood veneer pressed on one side. Real wood veneer is a natural material, differences in color and structure may occur. Surfaces resistant to moisture.
	<b>Decor</b> <b>Outdoor Version</b> (Pricegroup 3)	<b>01</b> Cherry Tree <b>02</b> Wengé	Compact laminated panel, with melamine resin decor (HPL) pressed on one side. This HPL is developed for outdoor use. It is resistant to UV-radiation and has an overall weatherability.
<b>Folding Relaxing Deck Step (cushioned) Bolster</b>		<b>00</b> White	Base board, sheathed in foamed plastic material and covered with marine-quality protective padding.

Furniture Surfaces see end of pricelist

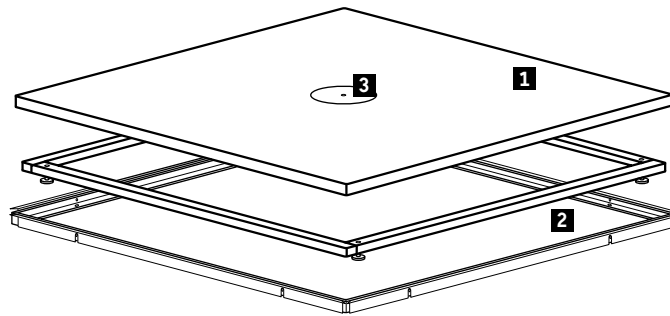
**Sundeck** Design by E00S

Description	inch	Model-No.	USD		
			Pricegroup 1	Pricegroup 2	Pricegroup 3
<b>Furniture panel</b>					
including flap for handling, for back-to-wall and corner, indoor					
for pool # 710171 (82 5/8" x 55 1/8")	82 5/8" x 55 1/8"	<b>SU 8681</b>	4,150	5,200	
<b>Furniture panel</b>					
including flap for handling, freestanding version, indoor					
for pool # 710171 (82 5/8" x 55 1/8")	82 5/8" x 55 1/8"	<b>SU 8682</b>	4,225	5,400	
<b>Furniture panel</b>					
including flap for handling, freestanding version, outdoor					
for pool # 710171 (82 5/8" x 55 1/8")	82 5/8" x 55 1/8"	<b>SU 8687</b>			5,500



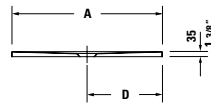
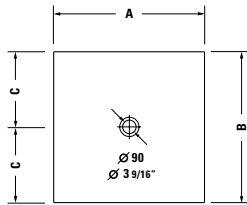


**DuraPlan** Design by Prof. Frank Huster

**Ordering Sample**


Description	Remark	Quantity	Model-No.
<b>1</b> Flush Fitting Shower Tray	35 3/8" x 35 3/8"	1	# 720082
<b>2</b> Mounting set for # 720082 (border frame, support frame)		1	# 790140
<b>3</b> Outlet drain for Flush Fitting Shower Trays, horizontal outlet		1	# 790262

**DuraPlan** Design by Prof. Frank Huster

**Flush fitting shower tray square**  
 1/8" sanitary acrylic


	A	B	C	D
<b>720082</b>	35 3/16"	35 3/16"	17 9/16"	17 9/16"
<b>720082</b>	893	893	446,5	446,5
<b>720085</b>	39 1/8"	39 1/8"	19 9/16"	19 9/16"
<b>720085</b>	993	993	496,5	496,5
<b>720089</b>	47"	47"	23 1/2"	23 1/2"
<b>720089</b>	1193	1193	596,5	596,5

Length inch	Width inch	Height inch	Weight lbs	Model-No.	USD
					White (Alpin) - 00
35 3/8"	35 3/8"	1 3/8"	35.5	<b>720082 00 0 00 0090</b>	645
39 3/8"	39 3/8"	1 3/8"	41.9	<b>720085 00 0 00 0090</b>	825
47 1/4"	47 1/4"	1 3/8"	61.0	<b>720089 00 0 00 0090</b>	950

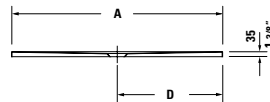
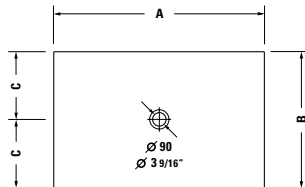
**Accessories for shower tray**

Mounting set for # 720082*	<b>790140 00 0 00 0000</b>	585
Mounting set for # 720085*	<b>790143 00 0 00 0000</b>	625
Mounting set for # 720089*	<b>790147 00 0 00 0000</b>	755
Outlet drain for flush fitting shower trays, vertical outlet, (white -00, chrome -10)	<b>790262 00 0 00 * 90</b>	120

**Infobox:** \*Mounting set including support frame and border frame to limit the screed floor and the position of shower tray. Excluding the materials for sealing layer. Observe preinstallation sheet

## DuraPlan Design by Prof. Frank Huster

### Flush fitting shower tray rectangle 1/8" sanitary acrylic



	A	B	C	D
<b>720084</b>	39 1/8"	35 3/16"	17 9/16"	19 9/16"
<b>720084</b>	993	893	446,5	496,5
<b>720087</b>	47"	35 3/16"	17 9/16"	23 1/2"
<b>720087</b>	1193	893	446,5	596,5
<b>720088</b>	47"	39 1/8"	19 9/16"	23 1/2"
<b>720088</b>	1193	993	496,5	596,5
<b>720091</b>	54 7/8"	35 3/16"	17 9/16"	27 7/16"
<b>720091</b>	1393	893	446,5	696,5
<b>720092</b>	62 3/4"	35 3/16"	17 9/16"	31 3/8"
<b>720092</b>	1593	893	446,5	796,5

Length inch	Width inch	Height inch	Weight lbs	Model-No.	USD
					White (Alpin) - 00
39 3/8"	35 3/8"	1 3/8"	39.2	<b>720084 00 0 00 0090</b>	815
47 1/4"	35 3/8"	1 3/8"	49.2	<b>720087 00 0 00 0090</b>	940
47 1/4"	39 3/8"	1 3/8"	54.6	<b>720088 00 0 00 0090</b>	945
55 1/8"	35 3/8"	1 3/8"	57.5	<b>720091 00 0 00 0090</b>	1,055
63"	35 3/8"	1 3/8"	63.3	<b>720092 00 0 00 0090</b>	1,175
<b>Accessories for shower tray</b>					
Mounting set for # 720084*				<b>790142 00 0 00 0000</b>	605
Mounting set for # 720087*				<b>790145 00 0 00 0000</b>	675
Mounting set for # 720088*				<b>790146 00 0 00 0000</b>	685
Mounting set for # 720091*				<b>790149 00 0 00 0000</b>	745
Mounting set for # 720092*				<b>790150 00 0 00 0000</b>	800
Outlet drain for flush fitting shower trays, vertical outlet, (white -00, chrome -10)				<b>790262 00 0 00 * 90</b>	120

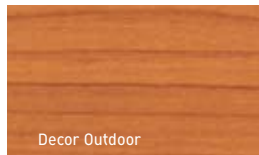
**Infobox:** \*Mounting set including support frame and border frame to limit the screed floor and the position of shower tray. Excluding the materials for sealing layer. Observe preinstallation sheet

**DuraPlan Accessories** Design by Prof. Frank Huster

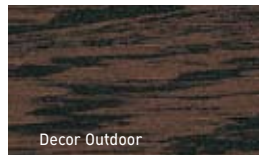
	Description	Model-No.	USD
	<b>Mounting set*</b>		
	for # 720082	790140 00 0 00 0000	585
	for # 720084	790142 00 0 00 0000	605
	for # 720085	790143 00 0 00 0000	625
	for # 720087	790145 00 0 00 0000	675
	for # 720088	790146 00 0 00 0000	685
	for # 720089	790147 00 0 00 0000	755
	for # 720091	790149 00 0 00 0000	745
	for # 720092	790150 00 0 00 0000	800
<b>Infobox:</b> *Mounting set including support frame and border frame to limit the screed floor and the position of shower tray. Excluding the materials for sealing layer. Observe preinstallation sheet			
	<b>Outlet drain for flush fitting shower trays, vertical outlet</b>		
	white	790262 00 0 00 0090	120
	chrome	790262 00 0 00 1090	120

# Color Chart Surfaces, Furniture Surfaces

## Blue Moon



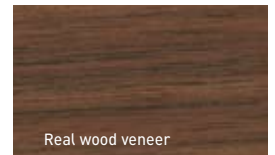
01 Cherry Tree



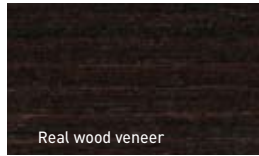
02 Wengé



04 Teak



13 American Walnut



24 Macassar



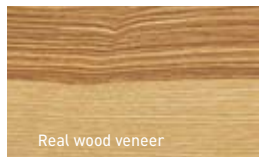
28 Wengé



62 Anthracite Oak



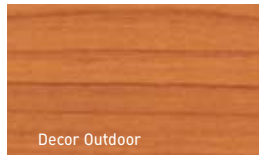
82 Acrylic White



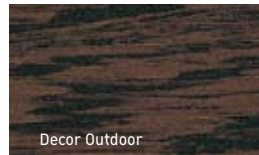
93 Ash Olive

---

## Sundeck



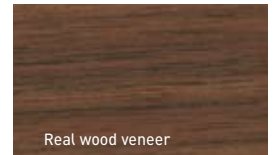
01 Cherry Tree



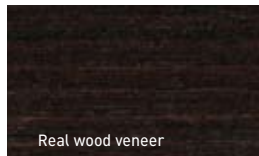
02 Wengé



04 Teak



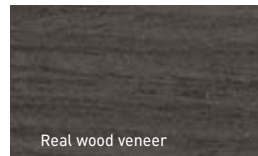
13 American Walnut



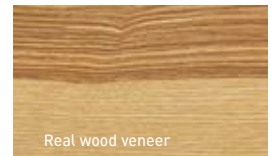
24 Macassar



28 Wengé



62 Anthracite Oak



93 Ash Olive

## General Terms Of Sale

---

### 1. Stock / Special Orders

Bold items listed in this price list are stocked in our Atlanta warehouse for immediate delivery. Special order products, listed in italics, have a 8-12 week lead time. All special orders are non cancelable and may or may not comply with US standards.

### 2. Payment Terms

Payment is due thirty days from the invoice date.

### 3. Loss/Damage

Unless expressly agreed upon in writing to the contrary, the Terms of Delivery are FOB Seller's loading dock.

Purchaser bears the risk of loss or destruction upon the first to occur, pickup or acceptance of the Products by Purchaser or its common carrier at Seller's loading dock. Products delivered to Purchaser by the common carrier shall be inspected by Purchaser upon receipt.

If Purchaser notices damages or losses which occurred during shipment Purchaser shall file claims with respect to such damages with the carrier. Seller is not liable for any damages or losses which occurred after the risk of loss has passed to Purchaser.

Purchaser may not withhold or reduce payments on account of such claims or any other complaints, claims or counterclaims not acknowledged and accepted by Seller.

### 4. Shortages

Claims for shortages must be made within five days from receipt of goods. Any claim of shipment not received must be reported to Duravit within thirty days from the invoice date.

### 5. Returns

Under no circumstances will Duravit accept the return of merchandise without express written authorization. System tubs are not eligible for return. A full credit will be given upon the receipt and inspection of factory defective or incorrectly shipped items. Any merchandise ordered in error or canceled will be assessed at 25% handling charge and must be returned no later than sixty days after the date of the return goods authorization. A 50% restock fee applies after 90 days. No merchandise will be authorized for return after a period of 120 days. A rebox fee may apply. All transportation for return goods must be paid by our customer. For further information please refer to our return goods policy.

### 6. Modifications

Duravit reserves the right to implement technological and or manufacturing modifications, as deemed necessary, without prior notice.

### 7. Limited Warranty

Duravit grants a guarantee period of 5 years for all sanitary ceramic, acrylicware and furniture and 1 year for all parts to be free of any manufacturing defect that would have direct effect on the practical application of the item. Duravit grants a guarantee period of 1 year for all whirl systems and accessories, providing that the installation is carried out by a certified plumber and electrician. Please note that parts subject to wear and tear are excluded from these guarantee regulations. Certain variances and tolerances are characteristic of vitreous china products that are fired at high temperatures which are therefore acceptable.

Duravit assumes no obligation other than the replacement of defective parts upon presentation along with proof of purchase to selling distributor. Duravit does not indemnify any related labor charges, removal and reinstallation expense, freight, postage or any incidental or consequential damages resulting from a defective product. This limited warranty is in lieu of our other warranties, implied or expressed.

Some states do not allow the exclusion/limitation of incidental or consequential damages, therefore the above limitation may not apply to you. This limited warranty gives you specific legal rights and you may also have other rights which vary from state to state.

THIS PRICE LIST SUPERSEDES ANY AND ALL PREVIOUS PRICE LISTS.  
PLEASE CONTACT YOUR LOCAL SALES REPRESENTATIVE FOR DETAILS ON THE  
POOLS PROGRAM.

**Duravit USA, Inc.**  
2205 Northmont Parkway  
Suite 200 - Duluth, GA 30096  
Phone +1 770 931 3575  
Fax +1 770 931 8454  
info@us.duravit.com  
www.duravit.us

**Duravit NYC**  
105 Madison Avenue  
New York, NY 10016  
Phone + 1 212 686 0033  
Fax + 1 212 686 8033  
info@us.duravit.com  
nyc.duravit.com

for the pro >

[pro.duravit.us](http://pro.duravit.us)

