

SensoWash[®] Starck

Pre-installation Data Sheet

610000

Index

Index	2
Note	2
Technical drawing	3
Pre-Installation	4
Pre-installation Checklist	5

Note

PLANNING

Before starting the installation, plan the layout in detail, taking the site conditions into consideration.

TARGET AUDIENCE AND QUALIFICATIONS

All work associated with the water connection may only be undertaken by a franchised plumbing company.

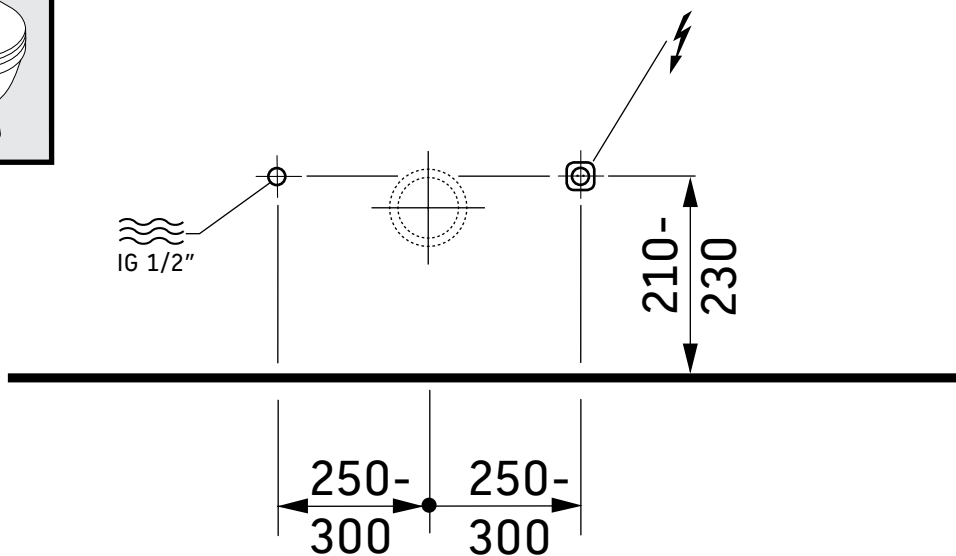
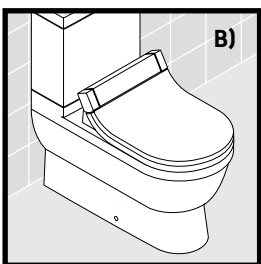
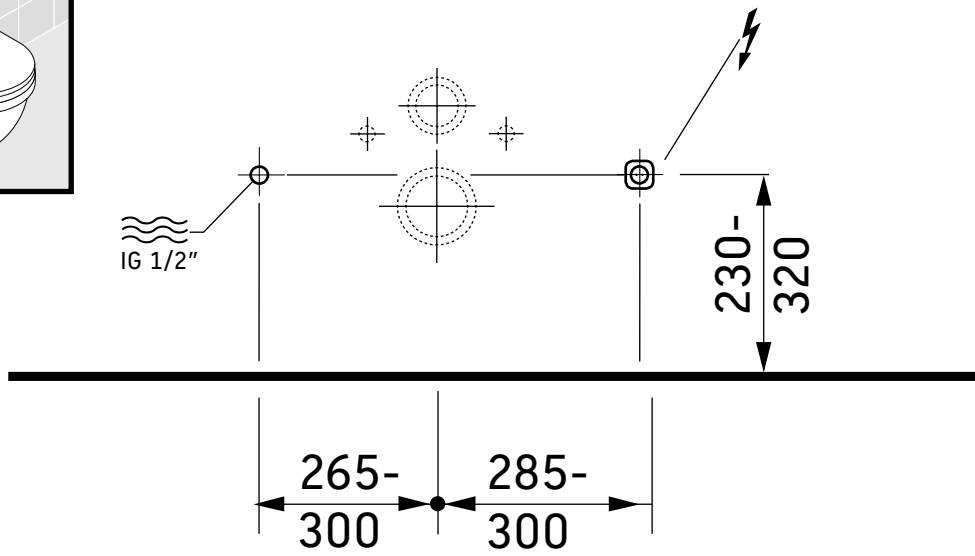
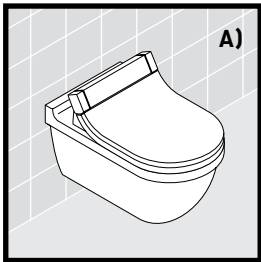
The installation must be in accordance with local water supply regulations and bylaws and country specific standards.

Connection of electrical equipment to the mains may only be carried out by a qualified electrician.

The installation must be in accordance with country specific standards, local regulations and Low Voltage guidelines.

Technical drawing

- = area for electrical connection
- = area for water connection



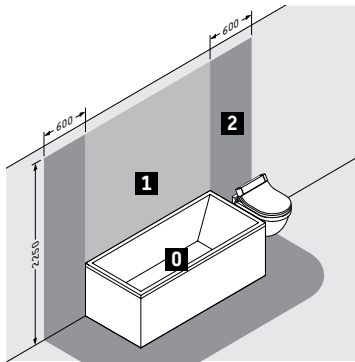
Pre-Installation

INSTALLATION LOCATION / INSTALLATION ROOM

> Ensure installation position fulfils following criteria

Temperature range >4 °C

Required area See technical drawing
Observe and uphold the national regulations



Protection areas 0-2 according to DIN VDE 0100-701

ELECTRICAL INSTALLATION

Electricity supply 220-240V 50/60Hz

Max. rated power 1,65 KW

Protection type IP X4

Protection class I

> Install permanent power supply line:

- L, N, PE
- See technical drawing for area.

> Install circuit breaker:

- Separate Circuit breaker $I_N = 16 \text{ A}$
- Separate Residual Current Circuit Breaker (RCCB) ($I_N = 30 \text{ mA}$) that disconnects all phases from mains.

WATER INSTALLATION

Water connection

Cold water DN 15 (1/2")

Water pressure 0,07 - 0,75 MPa (0,7 - 7,5 bar)

Water hardness max. 2.4 mmol/l

> Install water connection in designated area.

> Install water softening system when

- Water hardness $\geq 2.4 \text{ mmol/l}$ ($\geq 14^\circ\text{dH}$ or $\geq 24^\circ\text{f}$)

Water drain

> Set water drain DN100, see drawing for area.

Pre-installation Checklist

REQUIREMENTS	√	REMEDY	√
I. INSTALLATION ROOM / ROOM CONDITIONS			
Temperature range checked			
Required area checked			
ELECTRICITY SUPPLY			
Test electrical connecting dimensions (planned, according to electrician)		Lay Electrical Connection	
Circuit breaker Installed (planned, according to electrician)		Install circuit breaker	
WATER CONNECTION			
Water connection available in designated zone		Install water feed	
Water drain available in designated zone		Install water drain	

Duravit AG
P.O. BOX 240
Werderstr. 36
78132 Hornberg
Germany
Phone +49 78 33 70 0
Fax +49 78 33 70 289
info@duravit.de
www.duravit.de

