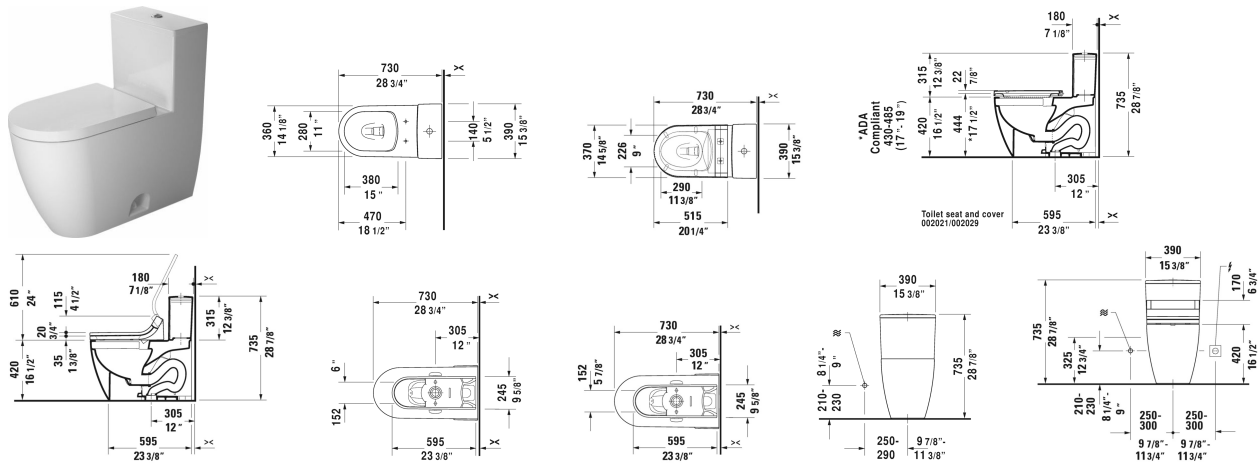


**ME by Starck One-Piece toilet Duravit Rimless® # 217301..01 / 217301..85**

< 14 1/8" Inch >



One-Piece toilet Duravit Rimless®	Dimension	Weight	Order number
rimless, syphonic, 12" rough-in, vertical outlet, suitable for SensoWash Starck, cUPC listed			
<b>Colors</b>			
00 White 20 HygieneGlaze (an antibacterial ceramic glaze that provides almost indefinite effectiveness)			
<b>Variant</b>			
♣ 1.32/0.92 gpf, with dual flush piston valve, top flush	14 1/8" x 28 3/4" Inch	141 lb	217301..01
♣ 1.28 gpf, with single flush piston valve, top flush	14 1/8" x 28 3/4" Inch	141 lb	217301..85
<b>Infobox</b>			
For suitable SensoWash® shower-toilet seats, please see matrix on page xxx			
Sanitary ceramics with the special WonderGliss surface finish will remain clean and attractive-looking for a long time to come. When ordering WonderGliss please add a "1" as eleventh digit to the model number.			
Mounting set for One-Piece and Two-Piece toilets, outlet 3/8" - male thread, wall connection 1/2" - female thread, 1/2", North American version	17 3/4" Inch	1.1 lb	001417
<b>Suitable products</b>			

**ME by Starck One-Piece toilet Duravit Rimless® # 217301..01 / 217301..85**

|< 14 1/8" Inch >|

<p>SensoWash Starck shower-toilet seat for Starck 2, Starck 3 and Darling New* remote control included, power actuated lid and seat, rear-, front and oscillating wash, individual adjustment of water-, air- and seat surface temperature as well as nozzle position and jet strength, self-cleaning wand, 2 individually programmable user profiles, night light, Quick release: easy seat unit removal and attachment, on / off-button, 14 5/8" x 20 1/4" Inch</p>	<p>14 5/8" x 20 1/4" Inch</p>	<p>610000</p>
<p>Toilet seat and cover elongated, hinges stainless steel, without slow close,</p>		<p>002021</p>
<p>Toilet seat and cover removable, elongated, hinges stainless steel, with slow close,</p>		<p>002029</p>

*All drawings contain the necessary measurements which are subject to standard tolerances. They are stated in inch & mm and are non-binding. Exact measurements, in particular for customized installation scenarios, can only be taken from the finished ceramic piece.*